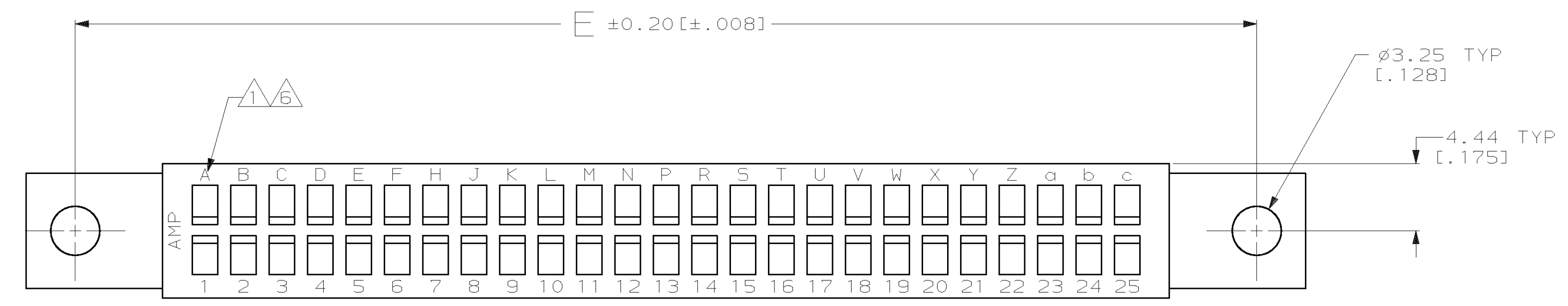
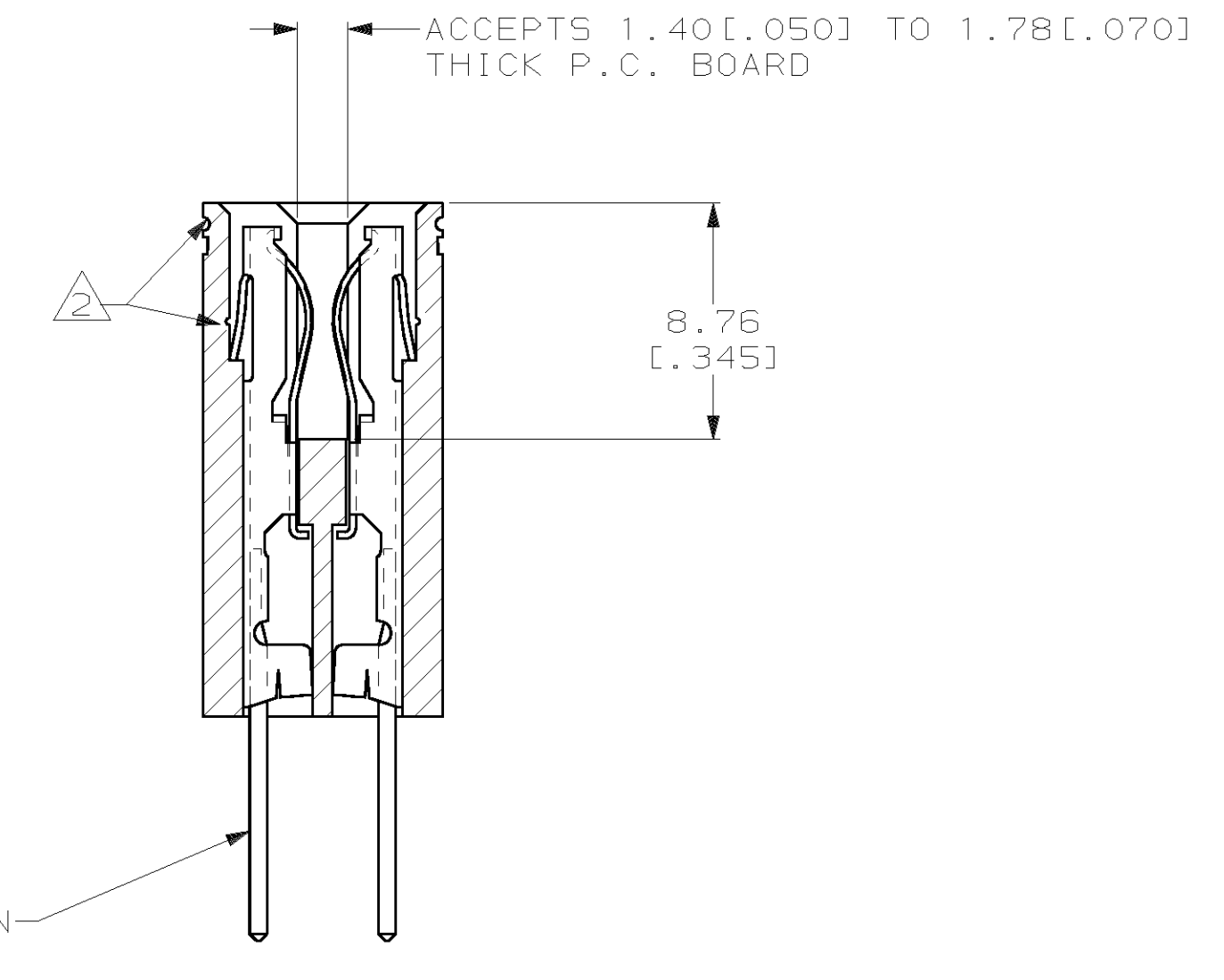
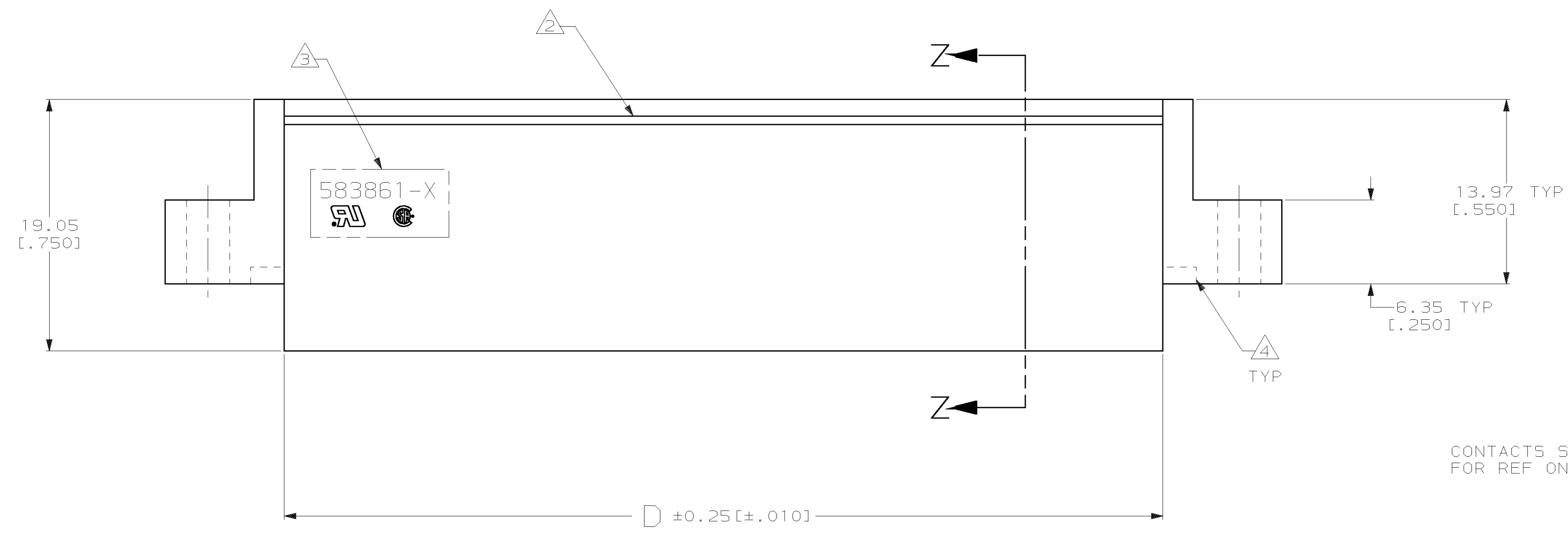
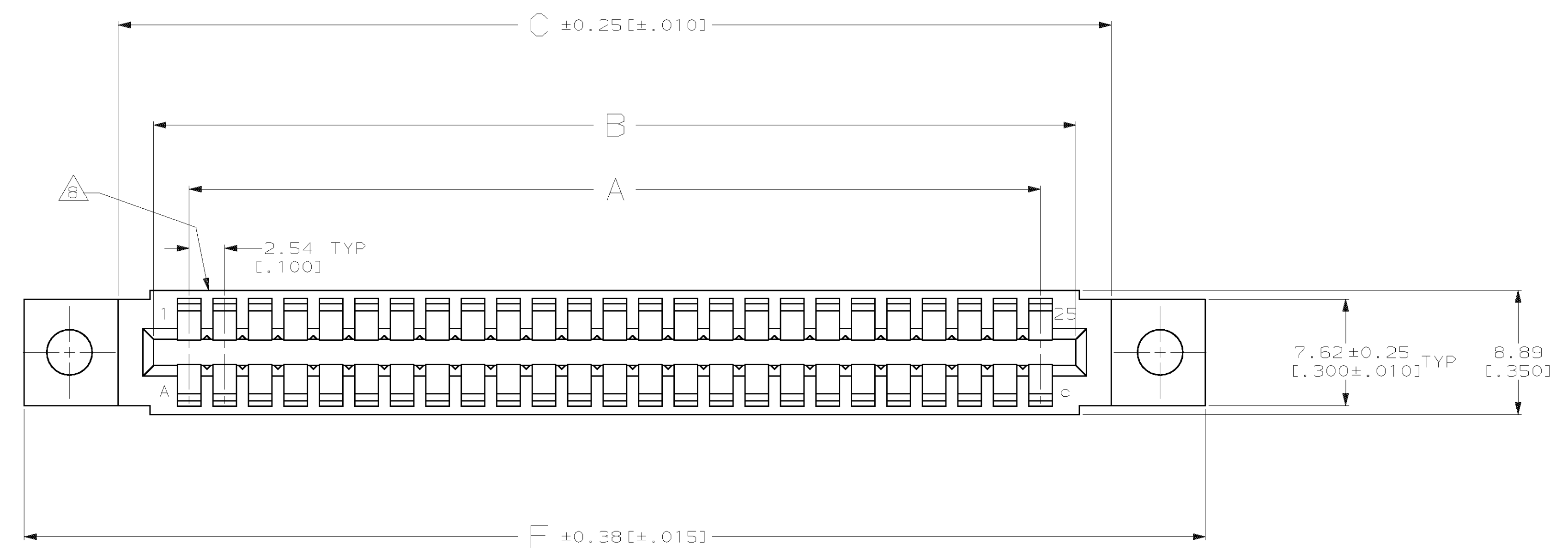


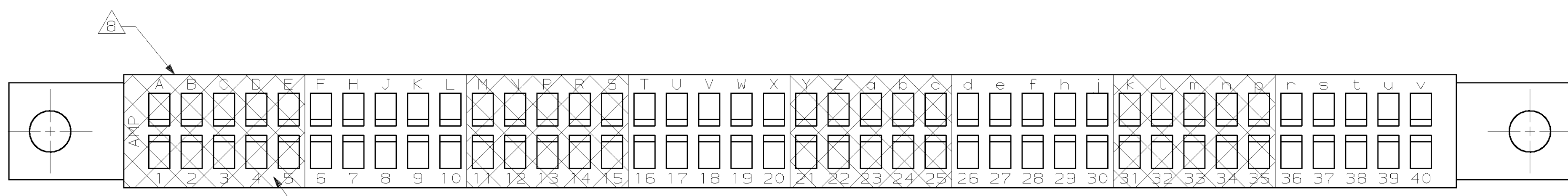
| LOC |    | DIST |  | P |  | ZONE |  | LTR |  | REVISIONS |                      | DATE    | APPD  |
|-----|----|------|--|---|--|------|--|-----|--|-----------|----------------------|---------|-------|
| FT  | 22 |      |  |   |  |      |  |     |  | V         | REV PER 063C-0599-04 | 14DEC04 | JR/MM |



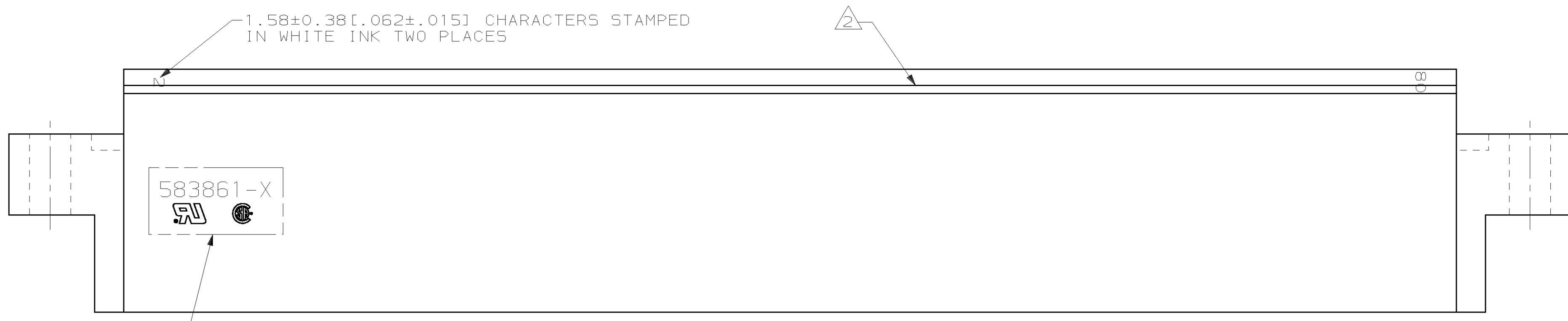
|  |  |                              |  |   |  |
|--|--|------------------------------|--|---|--|
| DO NOT SCALE PRINT. UNLESS SPECIFIED DIMENSIONS IN mm [INCHES] |  | DR 12-10-92<br>J GALLUCCI B6 |  | PART NO                                       |  |
| TOLERANCES - ON :  |  | CHK 3/2/94<br>H ROSE         |  | AMP Incorporated<br>Harrisburg, PA 17105-3508 |  |
| 2 PLC DEC ±  |  | APPD 3/2/94<br>H ROSE        |  | NAME  |  |
| 3 PLC DEC ± 0.131.005  |  | APPD 3/2/94<br>M THUMMA      |  | HOUSING, CRIMP SNAP<br>TWIN LEAF, .100 CL     |  |
| ANGLES ± -   |  | PRODUCT SPEC                 |  | SIZE  |  |
| MATERIAL   |  | APPLICATION SPEC             |  | CAGE CODE                                     |  |
| GLASS FILLED<br>POLYESTER<br>COLOR: BLACK                      |  | -                            |  | D 00779                                       |  |
| FINISH   |  | -                            |  | DRAWING NO                                    |  |
| -  |  | -                            |  | C-583861                                      |  |
| WEIGHT   |  | -                            |  | SCALE   |  |
| -  |  | -                            |  | 4:1   |  |
| -  |  | -                            |  | SHEET   |  |
| -  |  | -                            |  | 1 OF 2  |  |

THIS DRAWING IS A CONTROLLED DOCUMENT FOR AMP INCORPORATED. IT IS SUBJECT TO CHANGE AND THE CONTROLLING ENGINEERING ORGANIZATION SHOULD BE CONTACTED FOR THE LATEST REVISION.

| LOC | DIST | P | F | ZONE | LTR | REVISIONS   | DATE | APPD |
|-----|------|---|---|------|-----|-------------|------|------|
| FT  | 22   |   |   |      | V   | SEE SHEET 1 | -    | -    |



COLOR CODE FIRST FIVE POSITIONS WHITE,  
 NEXT FIVE POSITIONS PLAIN,  
 THIRD FIVE POSITIONS WHITE, ETC.



1.58±0.38[.062±.015] CHARACTERS STAMPED  
 IN WHITE INK TWO PLACES

2-583861-3

- 1 FIRST 22 POSITIONS MARKED WITH UPPER CASE LETTERS, FOLLOWED BY LOWER CASE LETTERS, FOLLOWED BY UPPERCASE AA, AB, AC ETC. CHARACTERS G, I, O AND Q ARE OMITTED. SEE TABLE FOR END CAVITY IDENTIFICATION.
- 2 OPTIONAL PULL GROOVES. THE PULL GROOVE LENGTH, SIZE AND LOCATION ARE AT THE DISCRETION OF THE MOLD VENDOR.
- 3 HOUSING PART NUMBER, UL & CSA LOGO'S TO BE MOLDED IN THIS AREA. UL, LOGO PER 1-18838-3, CSA LOGO PER 1-18839-3.
- 4 CORING AT AMP'S OPTION REF ONLY.
- 5 SPECIAL MARKING FOR 2-583861-3.
- 6 HIGHLIGHT MOLDED LETTERS AND NUMBERS WITH WHITE INK AT WIRE ONLY ON 2-583861-6.
- 8 DATE CODE TO BE MOLDED IN THIS AREA

|          |   |                   |                   |                   |                   |                   |                   |      |             |
|----------|---|-------------------|-------------------|-------------------|-------------------|-------------------|-------------------|------|-------------|
|          | 20 & X  | 71.88<br>[2.830]  | 65.41<br>[2.575]  | 53.85<br>[2.120]  | 58.42<br>[2.300]  | 53.34<br>[2.100]  | 48.26<br>[1.900]  | 20   | 2-583861-9  |
| OBSOLETE | 9 & K   | 43.94<br>[1.730]  | 37.47<br>[1.475]  | 25.91<br>[1.020]  | 30.48<br>[1.200]  | 25.40<br>[1.000]  | 20.32<br>[0.800]  | 9    | 2-583861-7  |
| OBSOLETE | SAME AS 2-583861-7 EXCEPT SPECIAL MARKING PER 1 |                   |                   |                   |                   |                   |                   |      | 2-583861-6  |
|          | 36 & r  | 112.52<br>[4.430] | 106.05<br>[4.175] | 94.49<br>[3.720]  | 99.06<br>[3.900]  | 93.98<br>[3.700]  | 88.90<br>[3.500]  | 36   | 2-583861-5  |
| OBSOLETE | SAME AS 583861-3 EXCEPT SPECIAL COLOR CODING 1  |                   |                   |                   |                   |                   |                   |      | 2-583861-3  |
|          | 50 & AF   | 148.08<br>[5.830] | 141.61<br>[5.575] | 130.05<br>[5.120] | 134.62<br>[5.300] | 129.54<br>[5.100] | 124.46<br>[4.900] | 50   | 2-583861-1  |
|          | 28 & f  | 92.20<br>[3.630]  | 85.73<br>[3.375]  | 74.17<br>[2.920]  | 78.74<br>[3.100]  | 73.66<br>[2.900]  | 68.58<br>[2.700]  | 28   | 1-583861-9  |
|          | 25 & c  | 84.58<br>[3.330]  | 78.11<br>[3.075]  | 66.55<br>[2.620]  | 71.12<br>[2.800]  | 66.04<br>[2.600]  | 60.96<br>[2.400]  | 25   | 1-583861-7  |
| OBSOLETE | 22 & Z  | 76.96<br>[3.030]  | 70.49<br>[2.775]  | 58.93<br>[2.320]  | 63.50<br>[2.500]  | 58.42<br>[2.300]  | 53.34<br>[2.100]  | 22   | 1-583861-5  |
| OBSOLETE | 18 & v  | 66.80<br>[2.630]  | 60.33<br>[2.375]  | 48.77<br>[1.920]  | 53.34<br>[2.100]  | 48.26<br>[1.900]  | 43.18<br>[1.700]  | 18   | 1-583861-3  |
|          | 17 & U  | 64.26<br>[2.530]  | 57.79<br>[2.275]  | 46.23<br>[1.820]  | 50.80<br>[2.000]  | 45.72<br>[1.800]  | 40.64<br>[1.600]  | 17   | 1-583861-1  |
|          | 15 & S  | 59.18<br>[2.330]  | 52.71<br>[2.075]  | 41.15<br>[1.620]  | 45.72<br>[1.800]  | 40.64<br>[1.600]  | 35.56<br>[1.400]  | 15   | 583861-9    |
|          | 10 & L  | 46.48<br>[1.830]  | 40.01<br>[1.575]  | 28.45<br>[1.120]  | 33.02<br>[1.300]  | 27.94<br>[1.100]  | 22.86<br>[0.900]  | 10   | 583861-7    |
|          | 6 & F   | 36.32<br>[1.430]  | 29.85<br>[1.175]  | 18.29<br>[0.720]  | 22.86<br>[0.900]  | 17.78<br>[0.700]  | 12.70<br>[0.500]  | 6    | 583861-5    |
|          | 40 & v  | 122.68<br>[4.830] | 116.21<br>[4.575] | 104.65<br>[4.120] | 109.22<br>[4.300] | 104.14<br>[4.100] | 99.06<br>[3.900]  | 40   | 583861-3    |
|          | 30 & j  | 97.28<br>[3.830]  | 90.81<br>[3.575]  | 79.25<br>[3.120]  | 83.82<br>[3.300]  | 78.74<br>[3.100]  | 73.66<br>[2.900]  | 30   | 583861-1    |
|          | END CAVITY IDENT                                | F                 | E                 | D                 | C                 | B                 | A                 | POSN | PART NUMBER |

| DO NOT SCALE PRINT. UNLESS SPECIFIED DIMENSIONS IN mm [INCHES] |  | DR 12-10-92 J GALLUCCI B6 |  | AMP AMP Incorporated Harrisburg, PA 17105-3508 |  |
|--|--|---------------------------|--|--|--|
| TOLERANCES ON:   |  | CHK 3/2/94 H ROSE         |  | NAME   |  |
| 2 PLC DEC ± -  |  | APPD 3/2/94 H ROSE        |  | HOUSING, CRIMP SNAP TWIN LEAF, .100 CL         |  |
| 3 PLC DEC ± -  |  | APPD 3/2/94 M THUMMA      |  | SIZE D   |  |
| ANGLES ± -   |  | PRODUCT SPEC -            |  | CAGE CODE 00779                                |  |
| MATERIAL -   |  | APPLICATION SPEC -        |  | DRAWING NO C-583861                            |  |
| FINISH -   |  | WEIGHT -                  |  | SCALE 4:1                                      |  |
|  |  |                           |  | SHEET 2 OF 2                                   |  |

THIS DRAWING IS A CONTROLLED DOCUMENT FOR AMP INCORPORATED. IT IS SUBJECT TO CHANGE AND THE CONTROLLING ENGINEERING ORGANIZATION SHOULD BE CONTACTED FOR THE LATEST REVISION.